

# Srikrishna College, Bagula, Nadia, West Bengal



Ref No-

Date: 16.01.2025

## Tender Notice

Rate quotations ( including all taxes) in sealed envelope are invited from authorised Contractors/ Suppliers/Concerns/ Agencies only who have credential, Trade licence, Pan card & GST Registration and Requisite credentials within **28/01/2025** at 2.00 p.m. for following items /articles for Srikrishna College , Bagula, Nadia, West Bengal, India during the Year 2024-2025.

- **Tender-**

1. Rate Quotation for Stainless Steel (Jindal-304) **Gate (As Per Drawing)**.

Sl. No	Item	Quantity	Rate
1.	Stainless Steel (Jindal-304) <b>Gate (As Per Drawing)at Srikrishna College</b>	2	Per kg

- **Details-**

Manufacturing and installing the Mild steel or Stainless steel gate (Gate No. 1, 2 & 3) at Srikrishna College campus. It includes of manufacturing the two gate (Gate 1& 2) as per mentioned design and their installation at different places at college campus. Detailed description of two gate are given below:

1. **Size:** Gate 1 (12.4 ft X 8ft)  
Gate 2 (12.4 ft X 8ft)
2. **Design:** As per Drawing
3. **Components / materials** - Stainless Steel (Jindal-304)
4. **Weight:** Gate no 1 - 150kg-180kg  
Gate no 2 - 70kg -80kg

5. **Installation:** Gate no 1 & 2 will be installed permanently into the concretised pillar and gate no 1&2 will be installed to a tiles wall.

Quotation may be submitted within specified date & time positively on working days from 11.00 am to 4pm in the office chamber of the principal.

The authority reserves the right to cancel the order/ refuse the item/articles, in case any variation is found from the original terms and conditions.

Further details of the aforesaid items may be obtained from the office of the undersigned on all working days during working hours.

*Ghosh 16.1.25*  
Principal

Srikrishna College

Dr. Sukdeb Ghosh

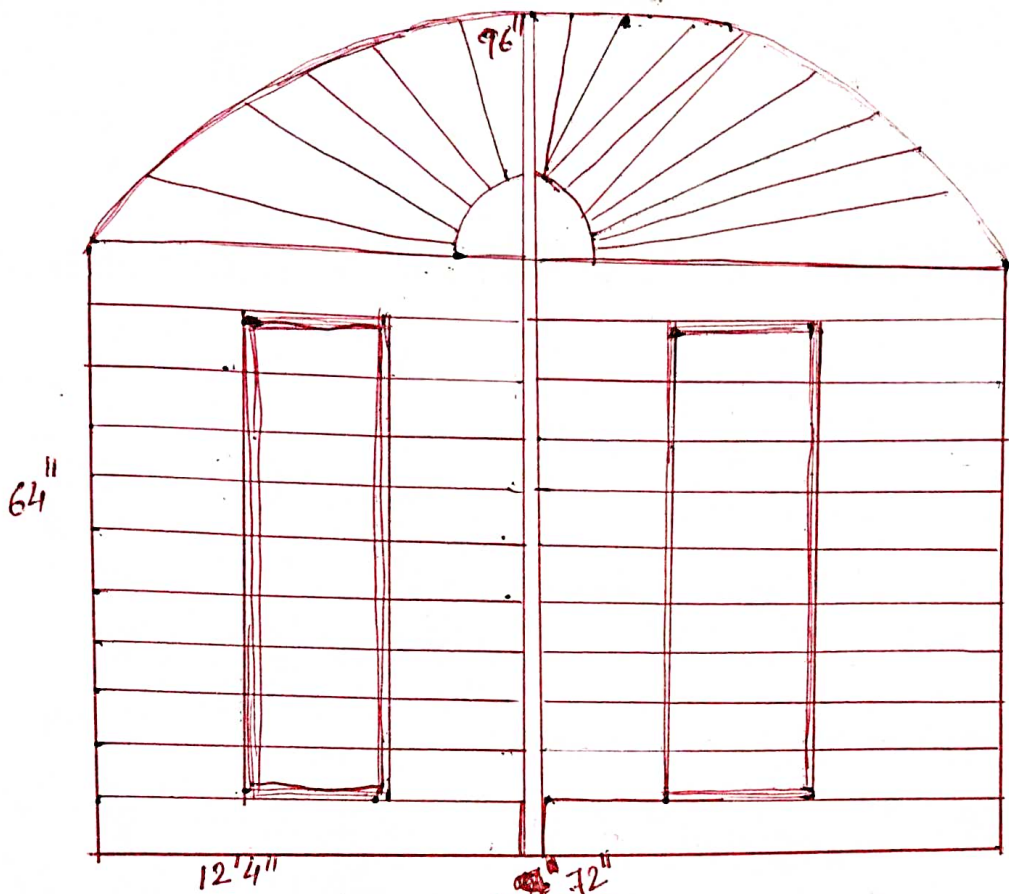
Principal

Srikrishna College

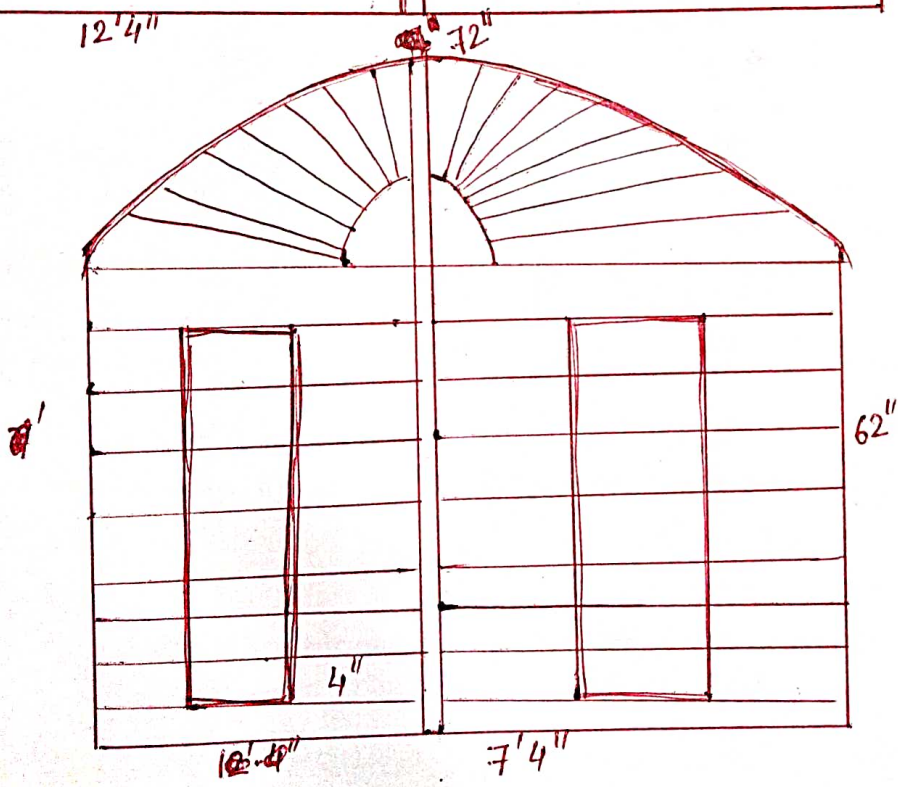
Bagula Nadia,

W.B. PIN-741502





Kobja - 6 pcs (8 inch)  
 Has Bolt - 2 pcs  
 Lock bolt - 2 pcs



Kobja - 6 pc (4 inch)  
 Has Bolt - 2 pc  
 Lock bolt - 2 pc

\* Jmdal Steel - 304 \*

Stainless Steel (Jmdal-304) Gate Designs

Srikrishna College  
 Bagula, Nadia, West Bengal

Ghosh Bot. 25  
 Dr. Sukdeb Ghosh  
 Principal  
 Srikrishna College  
 Bagula Nadia,  
 W.B. PIN-741502



